

BALDOR® • RELIANCE

Ensemble d'infos pièce

MOTEUR PMR

EM3615T-5

5HP,1750RPM,3PH,60HZ,184T,3642M,TEFC,F1

| Détail pièce | | | | | | | |
|----------------|------|------------------|-------|-------------------|----------|-------------------|------------|
| Révision: | G | Statut: | PRD/A | No de changement: | | Propriétaire: | Non |
| Type: | AC | Type prod.: | 3642M | Spéc. élec.: | 36WGS551 | Diagramme CD: | CD0006 |
| Coffret: | TEFC | Usine de fab.: | | Spéc. méc.: | 36G271 | Config: | 36LYG271 |
| Châssis: | 184T | Support-moteur: | F1 | Pôles: | 04 | Date créée: | 07-30-2010 |
| Base: | RG | Rotation: | R | Isolant: | F | Date entrée vig.: | 11-02-2015 |
| Conducteurs: | 3#16 | | | | | Remplacé par: | |
| Documentation: | | Spéc. Diagramme: | | | | | |

| Plaque signalétique NP3441L | | | | | | | |
|-----------------------------|--------------|----------------|------|-----|---|----|---|
| CAT.NO. | EM3615T-5 | | | | | | |
| SPEC. | 36G271S551G1 | | | | | | |
| HP | 5 | | | | | | |
| VOLTS | 575 | | | | | | |
| AMP | 5.3 | | | | | | |
| RPM | 1750 | | | | | | |
| FRAME | 184T | HZ | 60 | PH | 3 | | |
| SER.F. | 1.15 | CODE | J | DES | B | CL | F |
| NEMA-NOM-EFF | 89.5 | PF | 78 | | | | |
| RATING | 40C AMB-CONT | | | | | | |
| CC | 010A | USABLE AT 208V | | | | | |
| DE | 6206 | ODE | 6205 | | | | |
| ENCL | TEFC | SN | | | | | |
| VPWM INVERTER READY | | | | | | | |
| CT6-60H(10:1)VT3-60H(20:1) | | | | | | | |
| | | | | | | | |

| Liste des pièces | | |
|------------------|--|----------|
| Référence | Description | Quantité |
| SA200845 | SA 36G271S551G1 | 1.000 EA |
| RA188156 | RA 36G271S551G1 | 1.000 EA |
| 36FN3000C01SP | EXFN, PLASTIC, 5.25 OD, .912 ID | 1.000 EA |
| S/P107-000-001 | SUPER E PROC'S-FS, WS & CK PLTS | 1.000 EA |
| 36CB3004 | 36 CB CASTING W/1.09 DIA LEAD HOLE @ 6:0 | 1.000 EA |
| 36GS1000 | GASKET-CONDUIT BOX, .06 THICK #SV-330 LE | 1.000 EA |
| 51XB1016A08 | 10-16X 1/2HXWSSLD SERTYB | 2.000 EA |
| 11XW1032G06 | 10-32 X .38, TAPTITE II, HEX WSHR SLTD U | 1.000 EA |
| 36FE3104A01 | FREP MACH ASSEMBLY FOR ROUTING | 1.000 EA |
| HW4500A01 | 1641B(ALEMITE)400 UNIV, GREASE FITT | 1.000 EA |
| HW5100A05 | WVY WSHR F/205 & 304 BRGS | 1.000 EA |
| 36EP3100A01SP | PUEP ASSEMBLY FOR ROUTING PURPOSES | 1.000 EA |
| HW4500A01 | 1641B(ALEMITE)400 UNIV, GREASE FITT | 1.000 EA |
| XY2520A12 | 1/4-20 HEX NUT, DIRECTIONAL SERRATIONS | 4.000 EA |
| 36FH4009A102 | IEC FH GREASER PRIMED | 1.000 EA |
| 51XW1032A06 | 10-32 X .38, TAPTITE II, HEX WSHR SLTD S | 3.000 EA |
| 36CB4516 | 36 LIPPED CB LID | 1.000 EA |
| 37GS1001 | GASKET, CONDUIT BOX LID, .06 THICK LEXID | 1.000 EA |
| 51XW0832A07 | 8-32 X .44, TAPTITE II, HEX WSHR SLTD SE | 4.000 EA |
| HW2501E16 | 3KEY, 1/4 SQ X 1.750 | 1.000 EA |
| HA7000A02 | KEY RETAINER RING, 1 1/8 DIA, 1 3/8 DIA | 1.000 EA |
| 85XU0407S04 | 4X1/4 U DRIVE PIN STAINLESS | 2.000 EA |
| HW3200A01 | 3/8-16X3/4 I-BLT WELDED F/S | 1.000 EA |
| MJ1000A75 | GREASE, POLYREX EM EXXON (USe 4824-15A) | 0.050 LB |

| Liste des pièces (suite) | | |
|--------------------------|--|----------|
| Référence | Description | Quantité |
| 51XB1214A16 | 12-14X1.00 HXWSSLD SERTYB | 1.000 EA |
| MG1000Y03 | MUNSELL 2.53Y 6.70/ 4.60, GLOSS 20, | 0.022 GA |
| LB1115N | LABEL,LIFTING DEVICE (ON ROLLS) | 1.000 EA |
| HA3101A28 | THRUBOLT 1/4-20 X 12.500 OHIO ROD | 4.000 EA |
| LB1119N | WARNING LABEL | 1.000 EA |
| LC0006 | CONNECTION LABEL | 1.000 EA |
| NP3441L | ALUM SUPER-E VPWM INVERTER READY UL | 1.000 EA |
| G0PA1000 | PKG GRP, PRINT PK1026A06 | 1.000 EA |
| MN416A01 | TAG-INSTAL-MAINT no wire (1400/bx) 11/14 | 1.000 EA |

| Accessoires | | |
|--------------------|---|-----------------------|
| Référence | Description | Multiplicateur |
| 36-3301 | C FACE KIT | A8 |
| 36EP1304A62SP | FLANGE MTD ENDPLATE 182-4TD -ENCL (LESS | A8 |

AC Induction Motor Performance Data

Record # 32022 - Typical performance - not guaranteed values

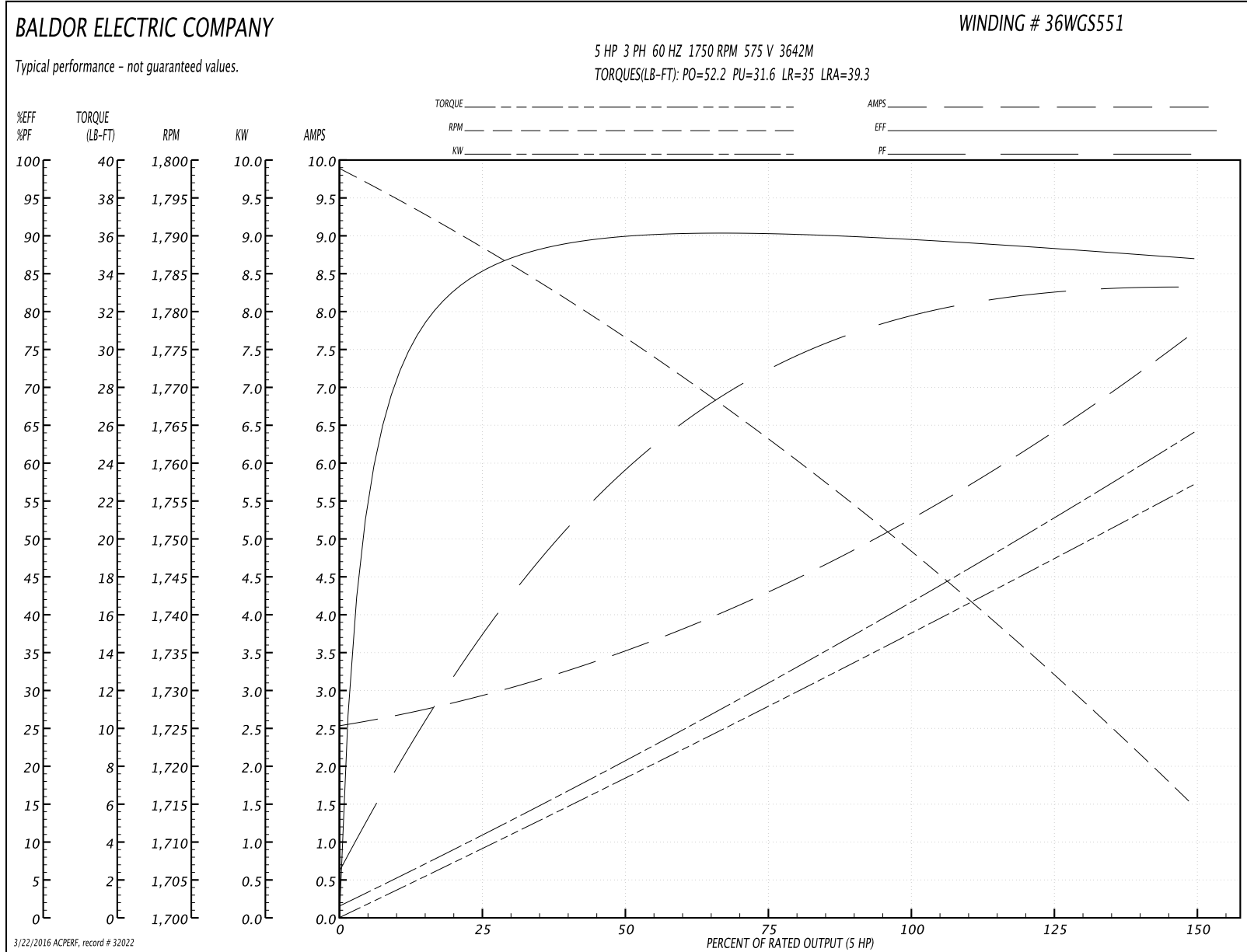
| | | |
|-------------------------------|--------------------|------------------------|
| Winding: 36WGS551-R001 | Type: 3642M | Enclosure: TEFC |
|-------------------------------|--------------------|------------------------|

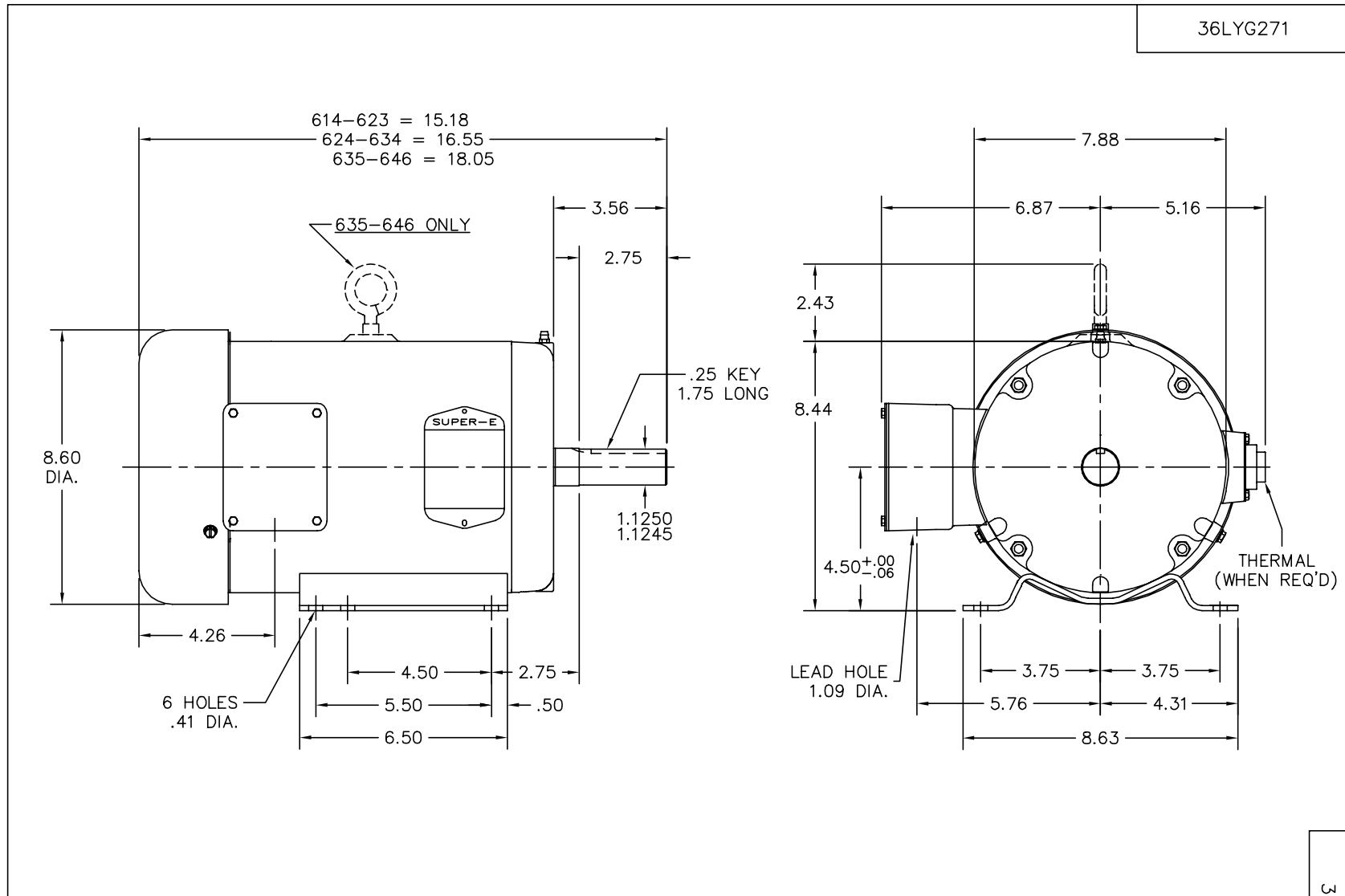
| Nameplate Data | | | | 575 V, 60 Hz: Single Voltage Motor | |
|-----------------------|--------------|--------------|----|---------------------------------------|--------------------------|
| Rated Output (HP) | 5 | | | Full Load Torque | 14.9 LB-FT |
| Volts | 575 | | | Start Configuration | direct on line |
| Full Load Amps | 5.3 | | | Breakdown Torque | 52.2 LB-FT |
| R.P.M. | 1750 | | | Pull-up Torque | 31.6 LB-FT |
| Hz | 60 | Phase | 3 | Locked-rotor Torque | 35 LB-FT |
| NEMA Design Code | B | KVA Code | J | Starting Current | 39.3 A |
| Service Factor (S.F.) | 1.15 | | | No-load Current | 2.6 A |
| NEMA Nom. Eff. | 89.5 | Power Factor | 78 | Line-line Res. @ 25°C | 3.57 Ω |
| Rating - Duty | 40C AMB-CONT | | | Temp. Rise @ Rated Load | 77°C |
| S.F. Amps | | | | Temp. Rise @ S.F. Load | 94°C |
| | | | | Rotor inertia | 0.391 LB-FT ² |

Load Characteristics 575 V, 60 Hz, 5 HP

| % of Rated Load | 25 | 50 | 75 | 100 | 125 | 150 | S.F. |
|-----------------|------|------|------|------|------|------|------|
| Power Factor | 38 | 60 | 72 | 78 | 83 | 83 | 81 |
| Efficiency | 84.8 | 89.6 | 90.5 | 89.5 | 88.5 | 86.9 | 88.9 |
| Speed | 1789 | 1776 | 1762 | 1750 | 1733 | 1714 | 1740 |
| Line amperes | 2.85 | 3.45 | 4.35 | 5.33 | 6.36 | 7.72 | 5.95 |

Graphe de performance à 575V, 60Hz, 5.0HP Performance caractéristique - pas de valeurs garanties





CUSTOMER IS RESPONSIBLE FOR DETERMINING THAT MOTOR PERFORMANCE IS SUITABLE IN THE APPLICATION.

REV. DESC: FREEZE LINES SHOWING THROUGH CAPACITOR/KO BOX

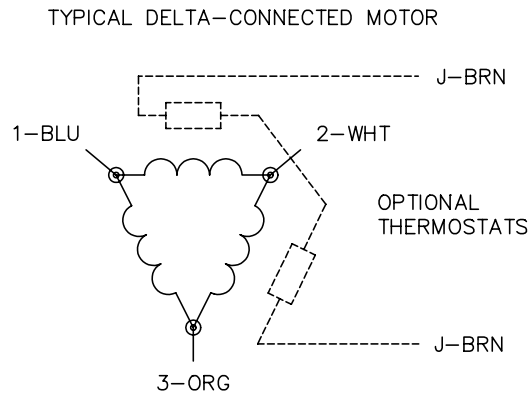
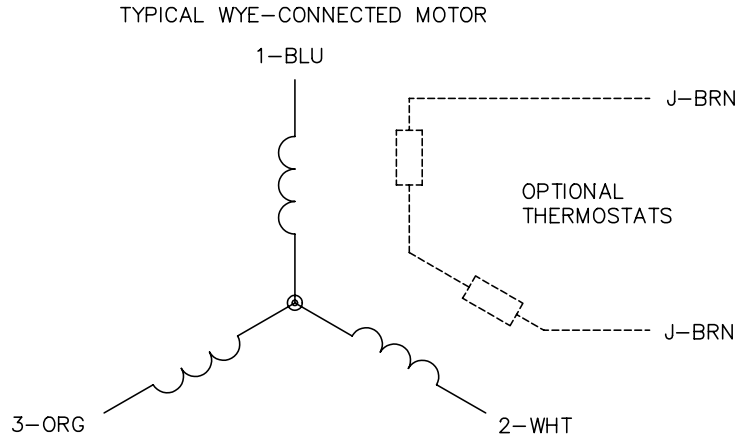
| | | |
|-------------|----------------------|------------------------------|
| REV. LTR: H | VERSION: 04 | TDR: 000000384004 |
| 1Z9A79Z | FILE: \AAA\00003\771 | REVISED: 16:52:27 12/22/2005 |
| | MTL: - | BY: ENCHRCO |

BALDOR ELECTRIC Co.

STD HORZ 182-4T TEFC 36M SUPER-E

36LYG271

CD0006



NOTES:

1. THREE LEAD MOTOR MAY BE EITHER WYE CONNECTED OR DELTA CONNECTED.
2. INTERCHANGE ANY TWO LINE LEADS TO REVERSE ROTATION.
3. OPTIONAL THERMOSTATS ARE PROVIDED WHEN SPECIFIED.
4. ACTUAL NUMBER OF INTERNAL PARALLEL CIRCUITS MAY VARY.
5. LEAD COLORS ARE OPTIONAL. LEADS MUST BE NUMBERED AS SHOWN.

| | | | |
|---|---------|------------------------|--------------|
| REV. DESC: REVISE TO SHOW OPTIONAL COLORS | | | |
| REV. LTR: D | BY: JLP | REVISED: 01/21/99 4:02 | TDR: 0171435 |
| 9000D | | FILE: AAA00005141 | MDL: - |
| | | MTL: - | |

BALDOR ELECTRIC Co.

3PH, SV, 3 LEADS, WYE OR DELTA CONNECTED

CD0006